



Fullcircle



12-14 March 2024  
Olympia London

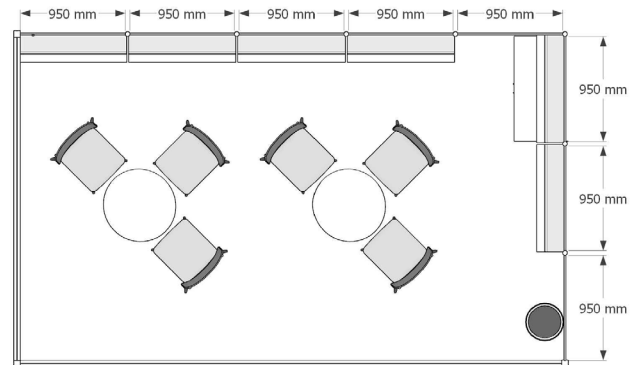
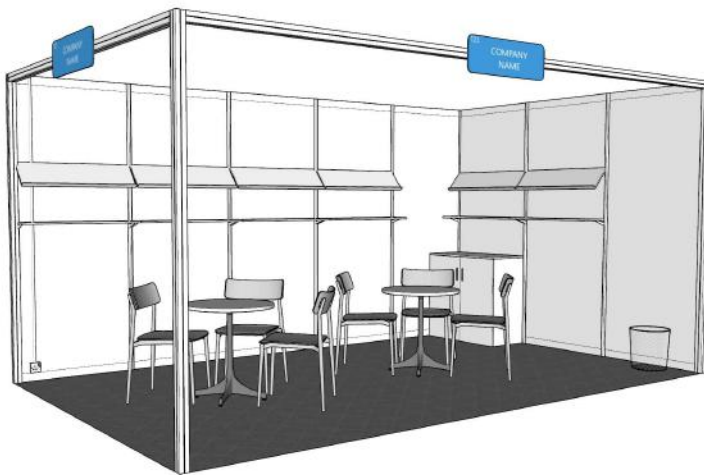
Defining the future  
of creative content

## PACKAGE C (5m x 3m)

Key	
DIA	Diameter
D	Depth
H	Height
W	Width
SH	Short Height

Qty	Item	Code	Colour	Dimensions
2	Round Tables	TE01	White	DIA=700mm H=730mm
6	Chairs	CR03	White	D=560mm H=820mm W=500mm SH=460mm
6	Angled Shelves			D=300mm W=1000mm
6	Flat Shelves			D=300mm W=1000mm
3	Spotlights			N/A
1	5' LED Fitting			N/A
1	Waste Bin	AS18	White	N/A
1	Storage Cabinet	CD04	White	D=500mm H=1000mm W=1000mm
1	13amp Socket 500w			N/A
1	Free Wifi Connection			N/A

**Please note:** Shelving can be configured to be flat or angled upon our receipt of your layout.



All images used are for illustrative purposes only, stand size may vary. Please note that any images are intended to be a visual aid only and do not necessarily depict the final product. Any layout changes on-site could be subject to delays. Shelving will not be movable by the exhibitor this year.

For additional orders and to receive the packages upon arrival please send your compulsory layouts to [Exhibit@fullcircleeventsltd.co.uk](mailto:Exhibit@fullcircleeventsltd.co.uk)

0161 393 3949  
[www.fullcircleeventsltd.co.uk](http://www.fullcircleeventsltd.co.uk)